



IP Phone 1140 Graphical Expansion Module (GEM)

Installation Guide for use with C4 IP

The Cypress Communications® Graphical Expansion Module (GEM) is a hardware component that provides additional line/feature key appearances for the IP Phone 1140. (See Figure 1.) Cypress deploys GEMs as an upgrade to a standard Receptionist, Professional and Multimedia Seats. The upgraded standard Receptionist seat comes with one GEM, but a second GEM can be added to support additional feature/line appearances.

GEM SETUP AND INSTALLATION

Caution! To avoid damaging equipment, power off the IP Phone 1140 before connecting it to the GEM. The GEM is shipped with the base locked in position. To avoid damaging the GEM, press the tilt lever located on the base at the front of the GEM.

Step 1: Press the lever to adjust the stand angle on the IP Phone 1140. You can adjust the stand angle to maximum, instead of removing the stand. (See Figure 2.)

Step 2: At the back of the IP Phone 1140, remove the rubber plug from the GEM port. Place the connecting arm of the GEM behind the IP Phone 1140 and align the connection plug on the GEM to the port on the back of the phone.

Step 3: Insert the screws (included in the GEM packing) in the top and bottom holes of the connecting arm of the GEM and tighten.

Step 4: If connecting second GEM, repeat steps 2 to 4. The second GEM is attached to the right side of the first GEM. Remove the rubber plug from the first GEM's port. (See Figure 3.)

Step 5: Adjust the height of the phone tilt adjustment to a comfortable viewing angle. Then adjust each of the GEM footstands so they are flush to the desk surface. Turn the wheel on the back right side of the GEM to the right to tighten the GEM. Do not over tighten.

Note: the GEM uses the electrical connection of the IP Phone 1140. It does not have its own power source.

Step 6: Power on the IP phone. The GEM feature keys should be visible on the GEM and available for use.

Note: If two GEMs are connected to the IP phone, the first GEM must be functioning in order for the second GEM to operate. This is because the first GEM provides power and connectivity to the second GEM.

Controls and settings for GEM

You can control the display contrast of the GEM through the IP phone's menu. To adjust the display contrast, the user must perform the following:

- Press the Services key twice.
- Select 1 – Preferences.
- Select 1 - Display Settings.
- Adjust the contrast using the left and right navigation arrows.
- Click Apply to save the settings.

Note: Adjusting the display contrast on the GEM will also adjust the display contrast on the IP Phone 1140



Figure 1

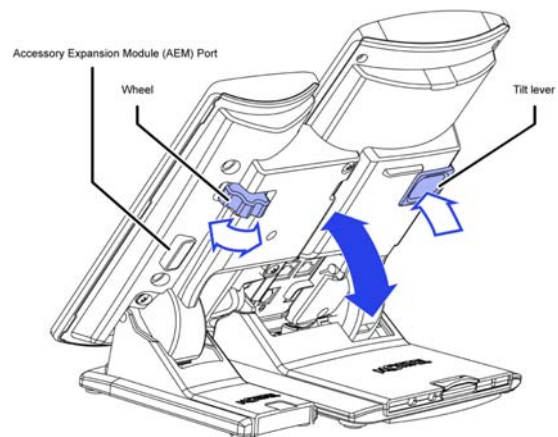


Figure 2

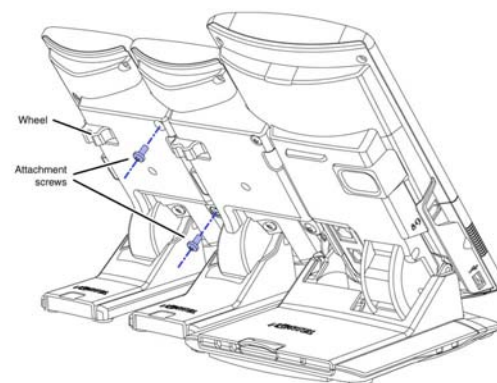


Figure 3